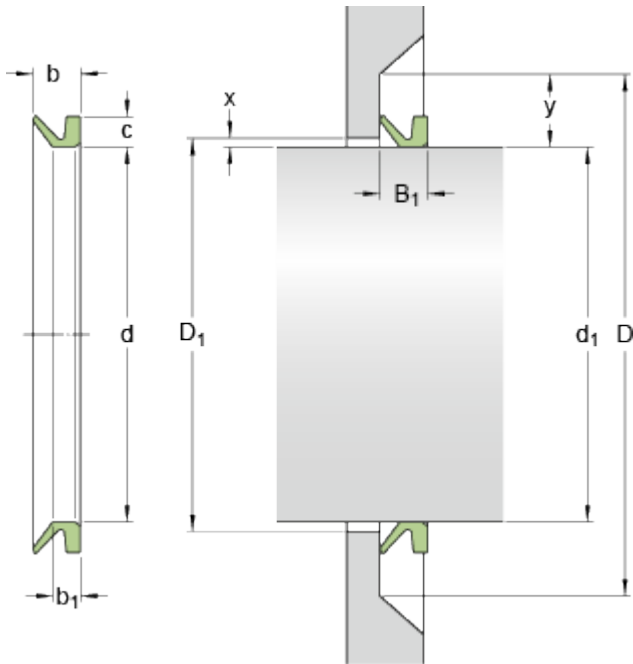


200 VL R

Design	VL
Lip material	NBR

Dimensions



Shaft diameter range

d_1	over 195	mm
d_1	incl. 210	mm

Seal and abutment

d	182	mm
b_1	6	mm
b	10.5	mm
c	6.5	mm
$2x$	5	mm
$D_1 \text{ max.} = d_1 + 2X$		
$2y$	20	mm
$D \text{ min.} = d_1 + 2Y$		
B_1	8	mm
	± 1.5	mm